

# MAAX SUBMITTAL SPECIFICATIONS

Vivez l'expérience

# MAAX®

Enjoy the experience

## Urban 7242

**MODEL NUMBER 102610**

DIMENSIONS: 72" x 42" x 24" Acrylic



### STANDARD FEATURES

- Concealed filling system
- Cascading waterfall optional in gray slate or white marble
- Detachable deck for easy maintenance
- Magnetic cushion available in black or white Magnet backed headrest for cushion. Factory installed only if cushion ordered on initial order.
- Urban semi or fully plumbed faucet options highly recommended (specify location)
- Center drain
- Drop in installation
- Apron not available
- Available in White and Biscuit only

### OPTIONS

- Ambiance set with massage systems
- Thermo-Acoustic system
- Water heater assembly
- Urban series faucets
- Semi-plumb
- ABS trim kit for whirlpool and combined systems

### UNIQUE FEATURES

- None

### SYSTEMS

- Aerofeel
- Chromotherapy
- Combined
- Aerofeel/Hydrofeel
- Hydrofeel

### CERTIFICATIONS

Maax products adhere to one or more of the following certifications:



Project : .....

Contractor : .....

MAAX Representative : ..... Tel : .....

Date : .....

[www.maax.com](http://www.maax.com)

### DOOR SELECTION

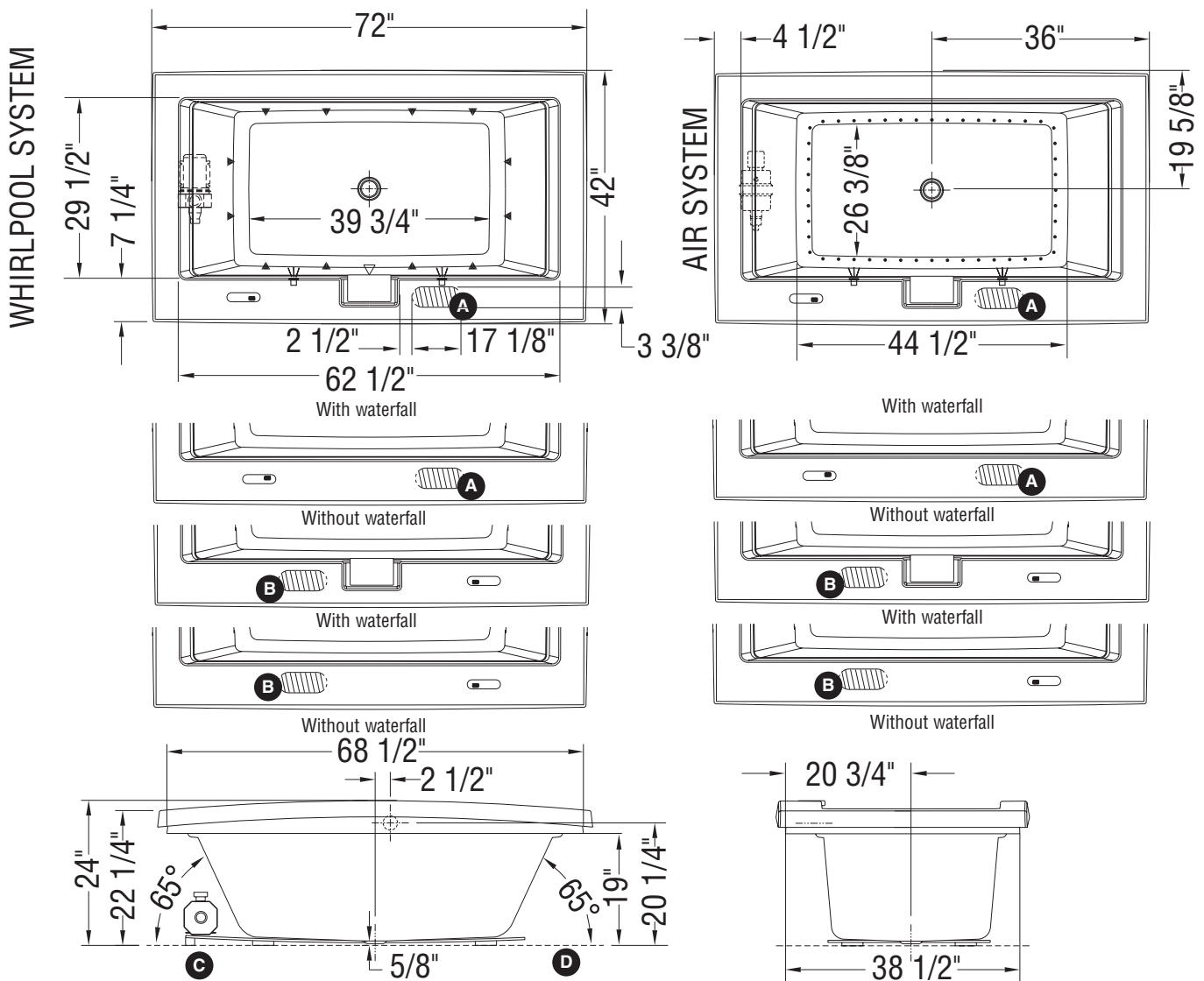
2013-05-14

# MAAX SUBMITTAL SPECIFICATIONS

## Urban 7242

MODEL NUMBER 102610

### TECHNICAL DRAWINGS



- ( ▲ ): Indicates whirlpool jets positioning
- ( △ ): Indicates suction positioning
- ( ● ): Indicates airjets positioning
- ( ✎ ): Indicates chromatherapy light positioning
- ( ▨ ): Faucet installation area
- ( A ): Faucet position with waterfall
- ( A ): Faucet position without waterfall
- ( B ): Faucet position with waterfall
- ( B ): Faucet position without waterfall
- ( C ): Specify blower and/or pump location when ordering
- ( D ): Specify blower and/or pump location when ordering

Bathtub base includes anti-vibration Neutra-Phone leg supports (not shown).  
**All dimensions are approximate. Structure measurements must be verified against the unit to ensure proper fit.**