

# MAAX SUBMITTAL SPECIFICATIONS

Vivez l'expérience

# MAAX®

Enjoy the experience

## Urban 6636

**MODEL NUMBER 102609**

DIMENSIONS: 66" x 36" x 24" Acrylic



### STANDARD FEATURES

- Concealed filling system
- Cascading waterfall option in gray slate or white marble
- Detachable deck for easy maintenance
- Magnetic cushion optional in black or white Magnet backed headrest for cushion. Factory installed only if cushion ordered on initial order.
- Urban semi or fully plumbed faucet option highly recommended (specify location)
- End drain
- Drop-in installation
- Apron not available

### OPTIONS

- Ambiance set with massage systems
- Thermo-Acoustic system
- Water heater assembly
- Urban series faucets
- Semi-plumb
- Ambiance set

### UNIQUE FEATURES

- None

### SYSTEMS

- Aerofeel
- Chromotherapy
- Combined Aerofeel/Hydrofeel
- Hydrofeel

### CERTIFICATIONS

Maax products adhere to one or more of the following certifications:



Combine with MAAX's complete

Project : .....

Contractor : .....

MAAX Representative : ..... Tel : .....

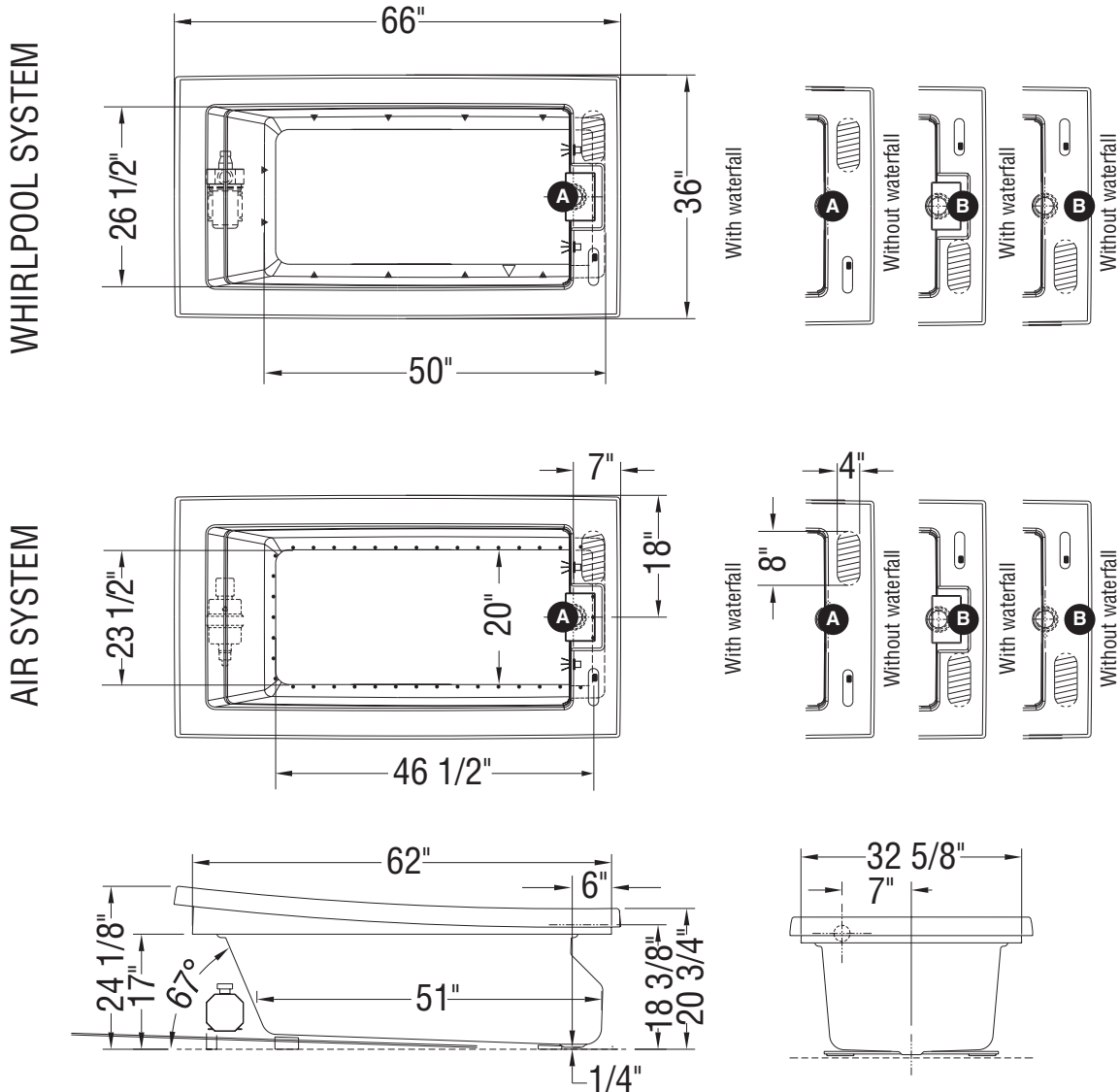
Date : .....

# MAAX SUBMITTAL SPECIFICATIONS

## Urban 6636

MODEL NUMBER 102609

### TECHNICAL DRAWINGS



- ( ▲ ): Indicates whirlpool jets positioning
- ( △ ): Indicates suction positioning
- ( ● ): Indicates airjets positioning
- ( ⚡ ): Indicates chromatherapy light positioning
- ( [hatched circle] ): Faucet installation area
- ( A ): Faucet position with waterfall
- ( A ): Faucet position without waterfall
- ( B ): Faucet position with waterfall
- ( B ): Faucet position without waterfall

Bathtub base includes anti-vibration Neutra-Phone leg supports (not shown).

**All dimensions are approximate. Structure measurements must be verified against the unit to ensure proper fit.**