

MAAX SUBMITTAL SPECIFICATIONS

Vivez l'expérience

MAAX®

Enjoy the experience

Souvenir With Apron

MODEL NUMBER 100084

DIMENSIONS: 72" x 44" x 25" Acrylic



STANDARD FEATURES

- Unique feature: available with air and whirlpool massage systems
- White or Biscuit cushion with a chrome-plated support and chrome-plated towel bar. The towel bar is standard factory installed on the opposite side as space for bath fixtures. However, it can be relocated on opposite side (specify when ordering). included
- Relaxing armrests
- ergonomic backrest
- deck for faucet
- Optional solid maple wood storage unit hides pump and/or blower
- Center drain
- Freestanding installation

OPTIONS

- Natural storage cabinet
- Additional towel bar
- Metal trim kit for whirlpool and combined systems
- Decorative towel bar
- One decorative cushion support
- Access panel

UNIQUE FEATURES

- None

SYSTEMS

Aerofeel

Chromatherapy

CERTIFICATIONS
 Max Combined here to one or more of the following certifications:



Project :

Contractor :

MAAX Representative : Tel :

Date :

www.maax.com

2012-12-03

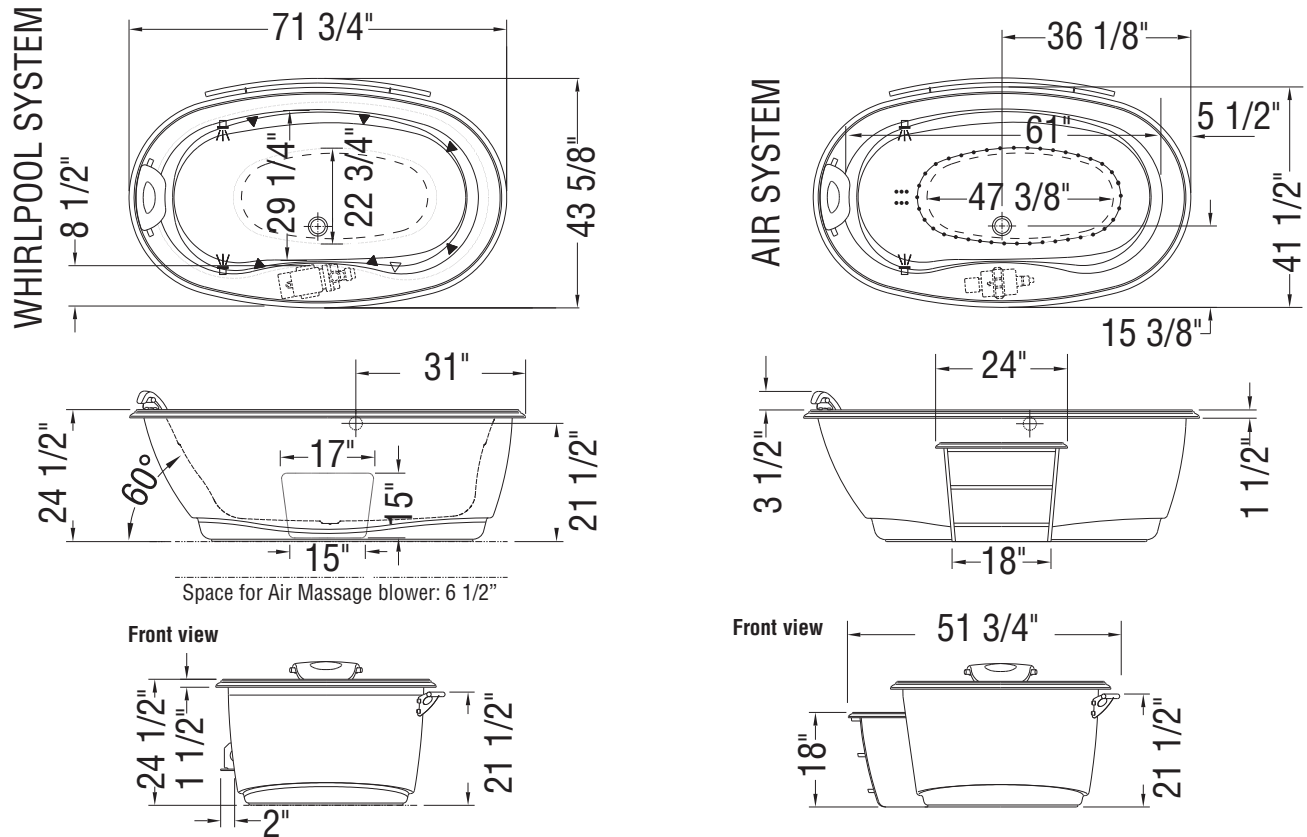
DOOR SELECTION

MAAX SUBMITTAL SPECIFICATIONS

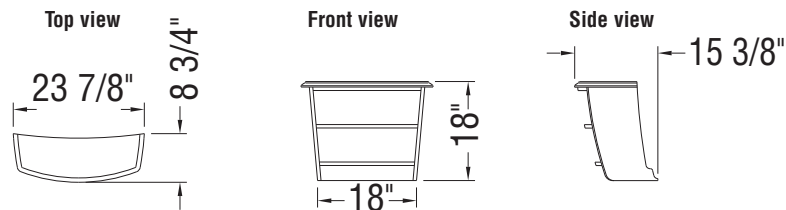
Souvenir With Apron

MODEL NUMBER 100084

TECHNICAL DRAWINGS



Technical drawings of the storage cabinet



- (▲): Indicates whirlpool jets positioning
 - (△): Indicates suction positioning
 - (●): Indicates airjets positioning
 - (☼): Indicates chromatherapy light positioning
- Bathtub base includes anti-vibration Neutra-Phone leg supports (not shown).
All dimensions are approximate. Structure measurements must be verified against the unit to ensure proper fit.