

# MAAX SUBMITTAL SPECIFICATIONS

Vivez l'expérience  
**MAAX**<sup>®</sup>  
 Enjoy the experience

## Optik 7236

**MODEL NUMBER 101270**

DIMENSIONS: 72" x 36" x 23" Acrylic



### STANDARD FEATURES

- Post-minimalism design combines straight and curvaceous lines for comfort
- Inclined backrest
- Curvaceous armrests
- Deep bathing well
- Deck for faucet
- 2 12-inch metal grab bars optional Specify the grab bar position.
- Magnetic cushion optional available in black or white Magnet backed headrest for cushion. Factory installed only if cushion ordered on initial order.
- Central drain
- 1 design, 2 installations: undermount or drop-in

### OPTIONS

- Thermo-Acoustic system
- Trim kit for Whirlpool and combined systems
- Water heater assembly
- Two 12-in. grab bars available in many colors
- Two chromatherapy lights
- Flexible main hose 15 ft for electronic control

### UNIQUE FEATURES

- None

### SYSTEMS

Aerofeel

### CERTIFICATIONS

Maax products adhere to one or more of the following certifications:  
 Aerofeel/Hydrofeel



Project : .....

Contractor : .....

MAAX Representative : ..... Tel : .....

Date : .....

[www.maax.com](http://www.maax.com)

2013-05-09

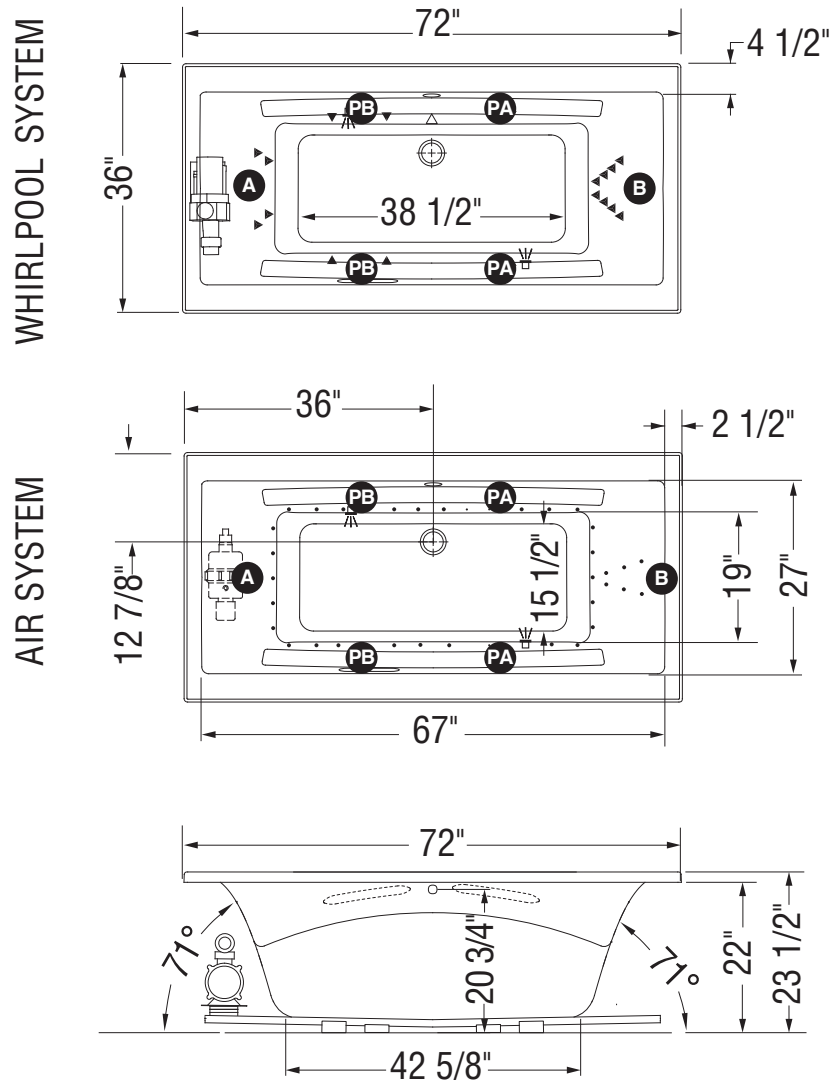
### DOOR SELECTION

# MAAX SUBMITTAL SPECIFICATIONS

## Optik 7236

MODEL NUMBER 101270

### TECHNICAL DRAWINGS



( **A** ) : Specify blower and/or pump location when ordering  
 ( **B** ) :

( **PA** ) : With system, the optional grab bar is on opposite side of the pump.  
 ( **PB** ) : Without system, specify optional grab bar location when ordering.

- ( ▲ ) : Indicates whirlpool jets positioning
- ( △ ) : Indicates suction positioning
- ( • ) : Indicates airjets positioning
- ( ☽ ) : Indicates chromatherapy light positioning

Bathtub base includes anti-vibration Neutra-Phone leg supports (not shown).

**All dimensions are approximate. Structure measurements must be verified against the unit to ensure proper fit.**