

MAAX SUBMITTAL SPECIFICATIONS

Vivez l'expérience

MAAX®

Enjoy the experience

Optik 6032

MODEL NUMBER 101265

DIMENSIONS: 60" x 32" x 21" Acrylic



STANDARD FEATURES

- Post-minimalism design combines straight and curvaceous lines for comfort
- Inclined backrest
- Curvaceous armrests
- Deep bathing well
- Deck for faucet
- Options: 12-inch grab bars
- Integrated tiling flange
- Apron with access panel
- Magnetic cushion available in black or white Magnet backed headrest for cushion. Factory installed only if cushion ordered on initial order.
- End drain
- 1 design, 3 installations: alcove, undermount or drop-in

OPTIONS

- Thermo-Acoustic system
- Trim kit for Whirlpool and combined systems
- Water heater assembly
- Two 12-in. grab bars available in many colors
- Two chromotherapy lights
- Flexible main hose 15 ft for electronic control

UNIQUE FEATURES

- None

SYSTEMS

Aerofeel

Chromotherapy

CERTIFICATIONS
 Max Combined here to one or more of the following features:



Project :

Contractor :

MAAX Representative : Tel :

Date :

www.maax.com

2013-05-09

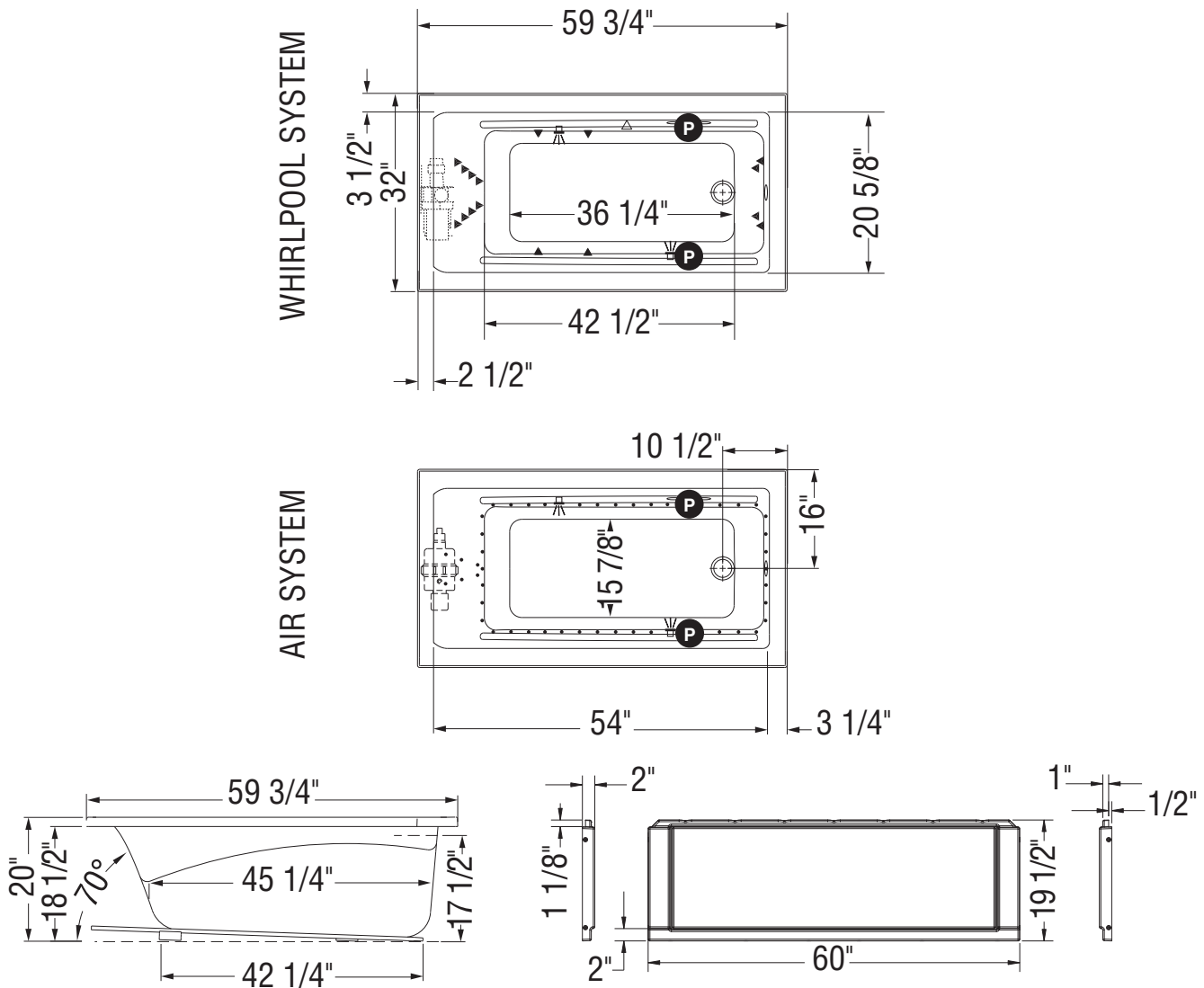
DOOR SELECTION

MAAX SUBMITTAL SPECIFICATIONS

Optik 6032

MODEL NUMBER 101265

TECHNICAL DRAWINGS



- (P): Indicates optional grab bar positioning
 - (▲): Indicates whirlpool jets positioning
 - (△): Indicates suction positioning
 - (•): Indicates airjets positioning
 - (☼): Indicates chromatherapy light positioning
- Bathtub base includes anti-vibration Neutra-Phone leg supports (not shown).
All dimensions are approximate. Structure measurements must be verified against the unit to ensure proper fit.