

# MAAX SUBMITTAL SPECIFICATIONS

Vivez l'expérience

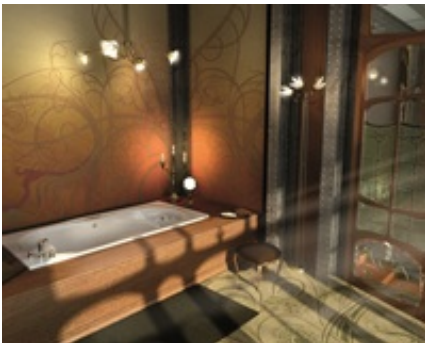
# MAAX®

Enjoy the experience

## Melodie

**MODEL NUMBER 100073**

DIMENSIONS: 66" x 33" x 20" Acrylic



### STANDARD FEATURES

- Raised bi-level bottom and curved lines maximize massage benefits and relaxation
- Ergonomic backrest and armrests
- Deck for faucet
- Center drain
- 1 bathtub, 2 installations: drop-in or alcove (specify tiling flange)
- Apron available

### OPTIONS

- Thermo-Acoustic system
- Metal trim kit for whirlpool and combined systems
- Water heater assembly
- White foam cushion
- Tiling flange
- Removable acrylic apron

### UNIQUE FEATURES

- None

### SYSTEMS

- Aerofeel
- Chromatherapy
- Combined Aerofeel/Hydromax
- Hydromax
- Hydromax REST
- Hydromax with Backmax
- Ozonator

### CERTIFICATIONS

Maax products adhere to one or more of the following certifications:



Project : .....

Contractor : .....

MAAX Representative : ..... Tel : .....

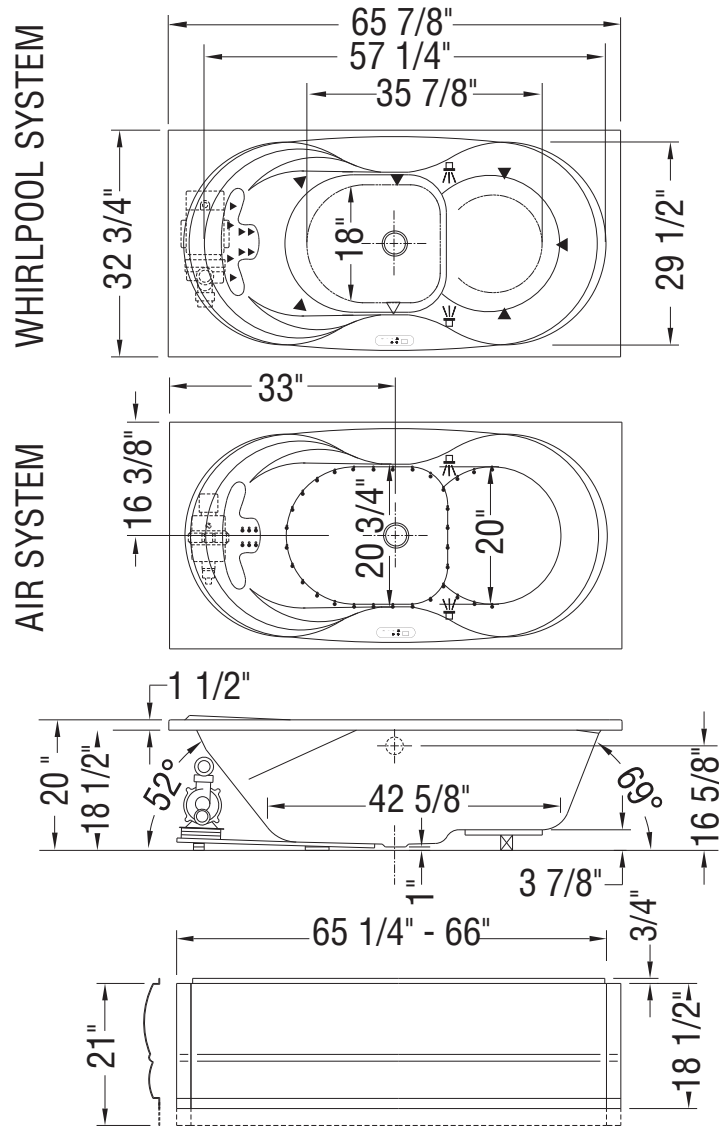
Date : .....

# MAAX SUBMITTAL SPECIFICATIONS

## Melodie

MODEL NUMBER 100073

### TECHNICAL DRAWINGS



- ( ▲ ): Indicates whirlpool jets positioning
  - ( △ ): Indicates suction positioning
  - ( ● ): Indicates airjets positioning
  - ( ☀ ): Indicates chromatherapy light positioning
- Bathtub base includes anti-vibration Neutra-Phone leg supports (not shown).  
**All dimensions are approximate. Structure measurements must be verified against the unit to ensure proper fit.**