

MAAX SUBMITTAL SPECIFICATIONS

Vivez l'expérience
MAAX[®]
Enjoy the experience

Aiiki 6636

MODEL NUMBER 102787

DIMENSIONS: 66" x 36" x 24" Acrylic



STANDARD FEATURES

- Cube inspired lines with an urban touch and comfortable design
- Comfortable inclined backrests and a shape to offer plenty of shoulder room
- Magnetic cushion available in black or white (Magnet backed headrest for cushion. Factory installed only if cushion ordered on initial order.)
- Drop-in installation
- Apron not available

OPTIONS

- Thermo-Acoustic system
- Water heater assembly
- ABS trim kit for whirlpool and combined systems
- Two chromatherapy lights
- Flexible main hose 15 ft for electronic control
- Metal trim kit for Aerofeel

UNIQUE FEATURES

- None

SYSTEMS

- Aerofeel
- Chromotherapy
- Combined Aerofeel/Hydrofeel
- Hydrofeel
- Ozonator

DOOR SELECTION

CERTIFICATIONS

Maax products offer more than 100 certifications complete with a list of more than 1000 certifications. Visit www.maax.com for more information.



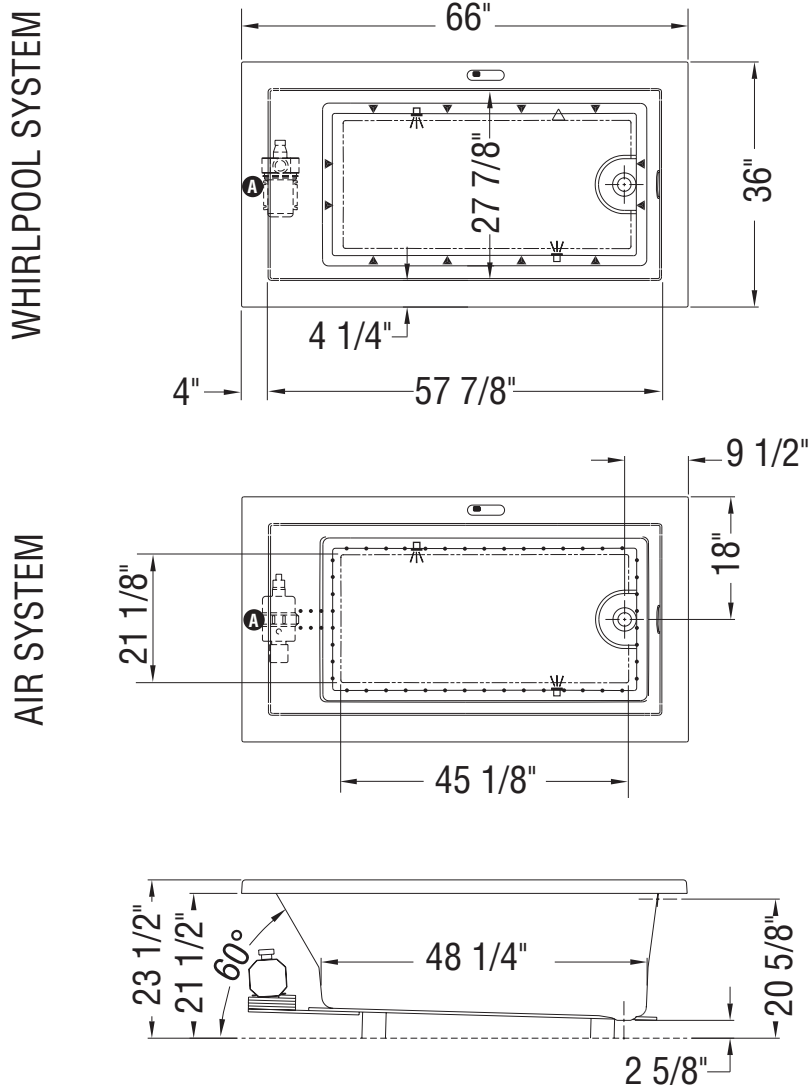
Project :
Contractor :
MAAX Representative : Tel :
Date :

MAAX SUBMITTAL SPECIFICATIONS

Aiiki 6636

MODEL NUMBER 102787

TECHNICAL DRAWINGS



Note: Air backjets on same side as blower

- (▲): Indicates whirlpool jets positioning
- (△): Indicates suction positioning
- (●): Indicates airjets positioning
- (♪): Indicates chromatherapy light positioning
- (A): Indicates pump or blower positioning

Bathtub base includes anti-vibration Neutra-Phone leg supports (not shown).

All dimensions are approximate. Structure measurements must be verified against the unit to ensure proper fit.