

Features

- 68" x 42" x 20" Oval air massage bath
- 20 minutes after the bath is turned off the motor automatically blows any remaining residue out of the "Quick Drain" air channel
- Powerful, single-speed blower and air switch for reliable operation
- Heating element warms the air before it enters the bathing well through the perimeter channel
- Available in Standard Colors: White, Almond, Biscuit, Classic Bone
- Outstanding protection – Mansfield® Limited One-Year Acrylic Warranty



Model 6728E

Options

Lift and Turn Drain

PF1320	Polished Chrome	Provides simple and easy draining	-	-
PF1321	Everbrass (PVD)		-	-
PF1322	Brushed Nickel		-	-
PF1323	Oil Rubbed Bronze		-	-

Metal Trim

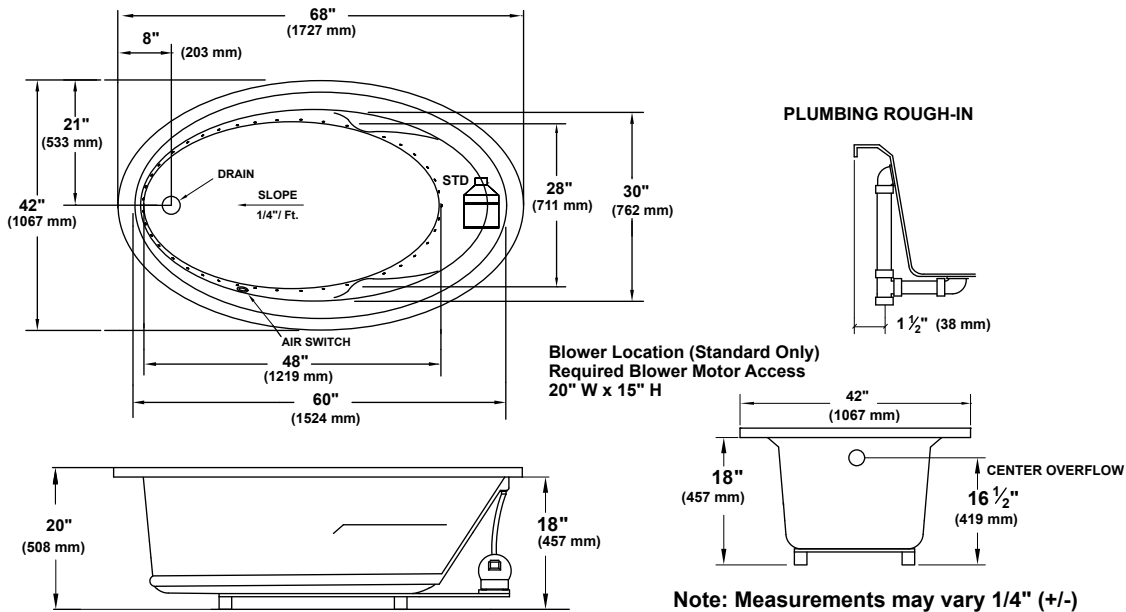
PF2335	Chrome	Air switch only	-	-
PF2336	Everbrass (PVD)		-	-
PF2337	Brushed Nickel		-	-
PF2338	Oil Rubbed Bronze		-	-

Specifications

Model #	Description	Approximate Weight	Codes/Standards
6728E	68" x 42" x 20" Oval Air Massage Bath	118 lbs. / 54 kg	

Specification	Description	Specification	Description
Material	Acrylic, fiberglass reinforced	Number of Jets	54
Construction	Self-contained, pre-plumbed air massage bath, mounted on a pre-leveled base	Water Capacity	74 gal. (max.) / 59 gal. (min.) (281 liters / 224 liters)
Blower Motor	120V, 60HZ, 7.5 Amp, Single Speed, 200 Watt Heater, Single Phase-Pre-mounted	Floor Loading Weight	47 lbs. / sq. ft. (229 kg/m ²) 118 lbs. (54 kg)
Electrical Requirements	120V, 15 Amp, GFCI protected	Shipping Weight	158 lbs. (72 kg)
On/Off Control	Air Switch	Warranty	Limited One Year

Technical Information



Optional Removable Apron not available on this unit.

Installer note: Due to the free-form shape of this tub, it is recommended that the tub be on the jobsite before making the final cut out for drop-in installation.

These dimensions are nominal and subject to change without notice.

When tested for compliance to the requirements of ANSI A112.19.7M for "Whirlpool Bath Appliances" and ANSI Z124.1.2M "American National Standard for Plastic Bathtub and Shower Units", the tested units are found to comply and are acceptable for listing under IAPMO R & T.

Certified for permanent electrical connection only.