



PRO-FIT®

4260 TFS

Rectangular Whirlpool or Bath

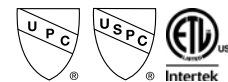


Model 6124
Shown in
White with
EverBrass (PVD) trim

Features

- 59-3/4" x 42" x 21-1/4" Rectangular whirlpool or bathtub
- Simple air-switch operation
- Single-speed pump
- Six powerful Ultra-Swirl jets
- Two air controls
- Integral apron and tile flange
- Optional removable long access panel on apron
- Color-Match trim, metal upgrades available
(Consult Price Book for specific colors)
- Available in Standard Colors
(Consult Price Book for specific colors)
- Outstanding protection – Mansfield® Limited One Year Acrylic Warranty

Model No.	Description	Approx.Wt.
6124	59-3/4" x 42" x 21-1/4" Lefthand rectangular whirlpool TFS	128 lbs. (58 kg)
6125	Righthand rectangular whirlpool TFS Specify color and options when ordering.	
6624	59-3/4" x 42" x 21-1/4" Lefthand rectangular bath TFS	108 lbs. (49 kg)
6625	Righthand rectangular bath TFS Specify color and options when ordering.	
PF1330	Access panel	3 lbs. (.13 kg)
SWP151	Factory installed In-line heater	3 lbs. (.13 kg)
PF1320	Chrome lift and turn drain kit	1 lbs. (.4 kg)
PF1321	Everbrass lift and turn drain kit	1 lbs. (.4 kg)
PF1322	Brushed nickel lift and turn drain kit	1 lbs. (.4 kg)
PF1323	Oil Rubbed Bronze lift and turn drain kit	1 lbs. (.4 kg)
PF1335	Chrome trim upgrade	1 lbs. (.4 kg)
PF1336	Everbrass trim upgrade	1 lbs. (.4 kg)
PF1337	Brushed nickel trim upgrade	1 lbs. (.4 kg)
PF1338	Oil Rubbed Bronze trim upgrade	1 lbs. (.4 kg)



4260 TFS

Rectangular Whirlpool or Bath

PRO-FIT®

Upgrades

Removable Access Panel - 5 ft. Model

- This panel makes it a simple step to access the pump and other areas as required. Access panels available on TFS right and left hand models.



Lift & Turn Drain Kit

Chrome, Everbrass (PVD), Brushed Nickel and Oil Rubbed Bronze

- The lift and turn drain kit provides simple and easy draining of the bathtub.



Factory Installed In-line Heater

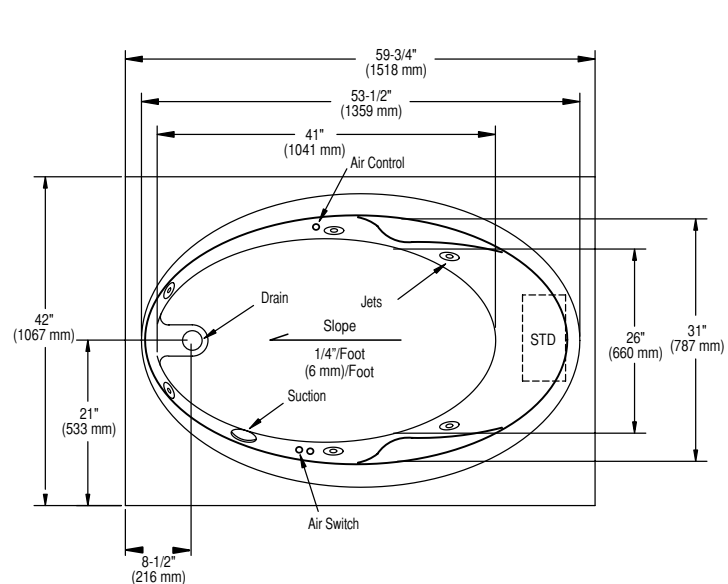
- A reliable, heating control upgrade maintains water temperature at desired level and operates when flow of water is detected in the system. Features a standard plug for easy electrical connection (GFCI: 120V, 20 amp dedicated circuit required to power this heater).



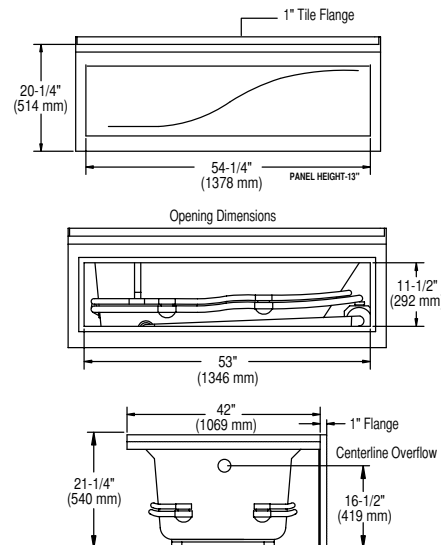
Trim Upgrade

- This option allows an upgrade to Chrome, Everbrass (PVD), Brushed Nickel and Oil Rubbed Bronze trim including jets, intake, control and air controls

Technical Information



With integral apron



Units available with optional removable access panel for access to pump/motor and plumbing on whirlpool baths. Specify RH or LH drain when ordering.

Note: Due to integral tile flange, a nailing flange is not available on this unit.

Installer Note: Due to the freeform shape of the tub shell, it is recommended that the tub be on the jobsite before making the final cut-out for drop-in installation.

Note: Measurements may vary 1/4" (+/-)

NOTE: Install this product according to the installation guide.

Specifications

Dimensions	59-3/4" x 42" x 21-1/4"	Number of Jets	Six
Material	Acrylic, fiberglass reinforced	Air Volume Control	Two
Construction	Self-contained, pre-plumbed whirlpool bath	Water Capacity	55 gal. max., 42 gal. min. (209liters/160 liters)
Pump Motor	Single speed, 120 volt, 60 HZ, 5.5-5.9 amps, single phase premounted	Floor Loading	47 lbs./sq. ft. (229 kg/m ²)
Electrical Requirements	120 volt, 20 AMP, GFCI	Shipping Weight (whirlpool)	168 lbs. (76 kg)
		Shipping Weight (bathtub)	138 lbs. (63 kg)
		Warranty	Limited One Year

These dimensions are nominal and subject to change without notice.

When tested for compliance to the requirements of ANSI A112.19.7M for "Whirlpool Bath Appliances" and ANSI Z124.1.2M "American National Standard for Plastic Bathtub and Shower Units", the tested units are found to comply and are acceptable for listing under IAPMO R & T.

Certified for permanent electrical connection only.

Form No. M6124/M6125 Printed in U.S.A. 1/10
© 2010 Mansfield Plumbing Products, LLC

© Pro-fit is a registered trademark of Mansfield Plumbing Products, LLC.

Mansfield Plumbing Products LLC • Customer Service Toll Free 800-999-1459 • Fax 903-655-3503
Website: www.mansfieldplumbing.com • Email: custserv@mansfieldplumbing.com