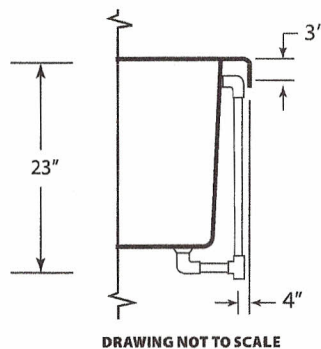
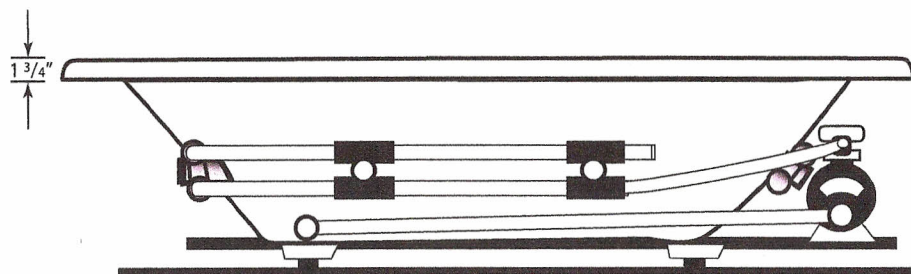
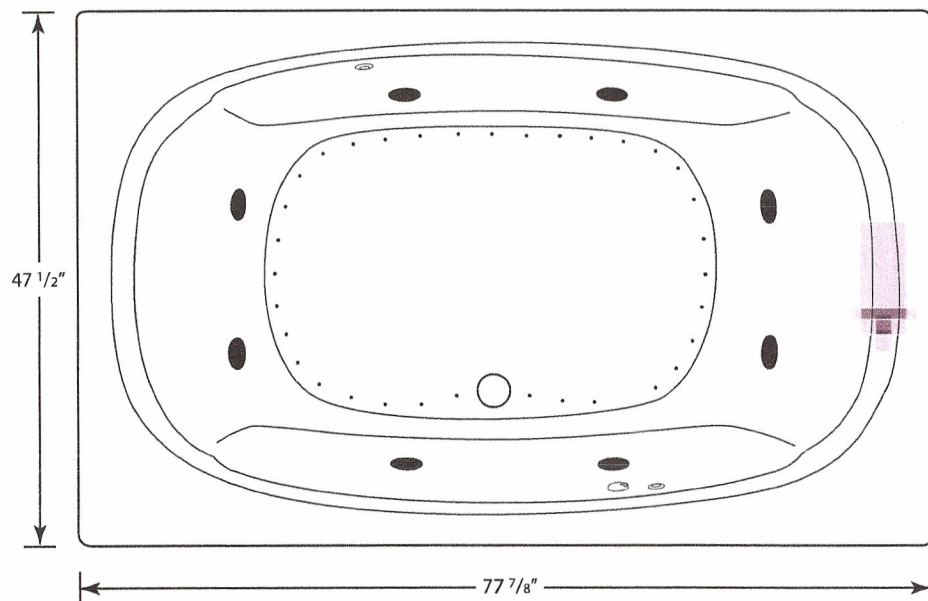


CHARLESTON 4878CW

S P E C I F I C A T I O N S

- All dimensions are plus or minus 1/4" (Maximum Tolerance)
- Atlantis Whirlpools reserve the right to make changes without notice.
- Copyright © All Rights Reserved



- MODEL:** 4878CW
- SIZE:** 47 1/2" X 77 7/8"
- EST. BOXED WEIGHT:** 145 lbs. (TUB ONLY)
- EST. BOXED WEIGHT:** 188 lbs. (WHIRLPOOL OR AIR)
- EST. BOXED WEIGHT:** 235 lbs. (WHIRLPOOL w/AIR)
- BOXED SIZE:** 51" X 84" X 28"
- AVERAGE FILL (gallons):** 70
- PUMP SIZE:** 1.5 HP
- BLOWER:** 1.0 HP
- ELECTRICAL:** 110V 20 AMP CIRCUIT
- MATERIAL:** Acrylic reinforced fiberglass
- Standard Colors:** White, Bone, Almond, Biscuit, Sterling Silver, Linen
- Standard Features:** Air Switch
- Jets:** 8 Star Jets
- Air Controls:** 2
- Suction Fittings:** 1
- Air Injectors:** 34

Interior Depth	Interior Length Top	Interior Width Top	Interior Length Bottom	Interior Width Bottom
22 1/4	66	38 1/4	46 1/2	29 1/2



ANSI-Z.124.1
ASME-A.112.19.7

OP OPTIONAL PUMP LOCATION



STANDARD PUMP LOCATION



A Division of Spa World Corp.
2320 NW 147 Street, Miami, FL 33054
PH: 866.588.8008 • FAX: 866.577.9225
www.atlantiswhirlpools.com