

MAAX SUBMITTAL SPECIFICATIONS

Vivez l'expérience

MAAX®

Enjoy the experience

Urban 6032

MODEL NUMBER 102608

DIMENSIONS: 60" x 32" x 23" Acrylic



STANDARD FEATURES

- Trendy bathtub with an urban, minimalist style
- Inclined backrest
- Magnetic cushion optional in black or white
- Magnet backed headrest for cushion. Factory installed only if cushion ordered on initial order.
- End drain
- Drop-in installation
- Apron not available
- Available in White and Biscuit only

OPTIONS

- Thermo-Acoustic system
- Water heater assembly
- ABS trim kit for whirlpool and combined systems
- Two chromatherapy lights
- One chromatherapy light
- Flexible main hose 15 ft for electronic control

UNIQUE FEATURES

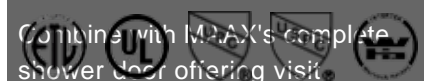
- None

SYSTEMS

- Aerofeel
- Chromotherapy
- Combined
Aerofeel/Hydrofeel
- Hydrofeel
- Hydrofeel REST

CERTIFICATIONS

Maax products adhere to one or more of the following certifications:



Combine with MAAX's complete shower door offering visit

Project :

Contractor :

MAAX Representative : Tel :

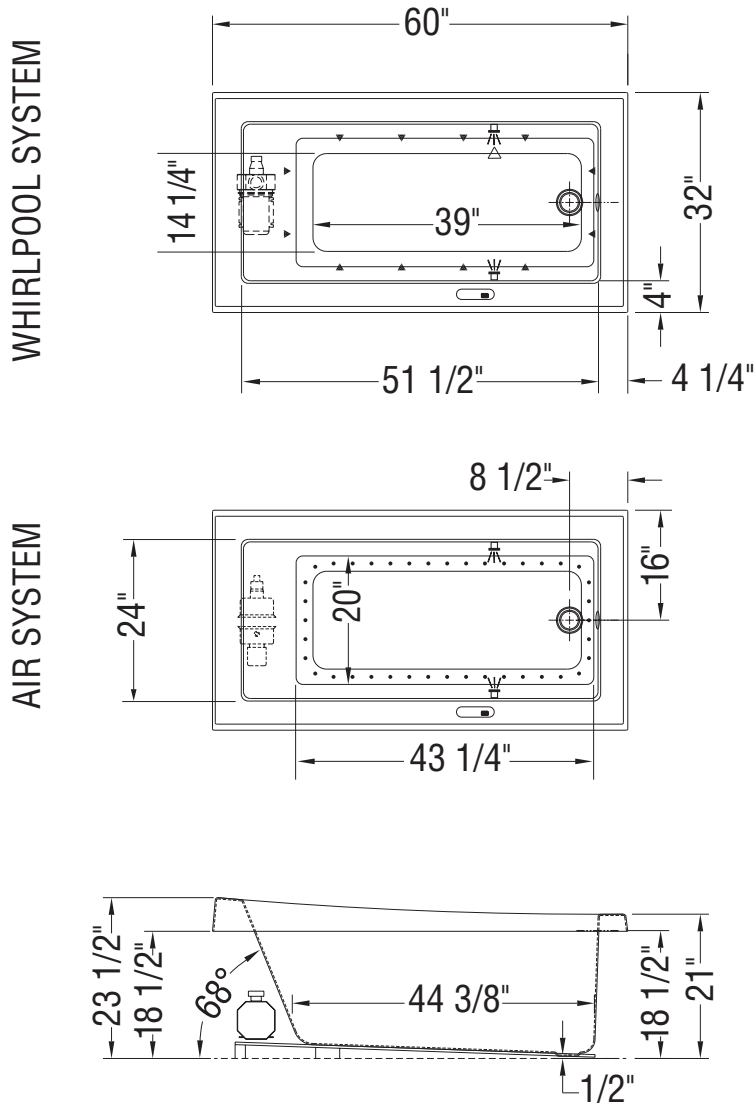
Date :

MAAX SUBMITTAL SPECIFICATIONS

Urban 6032

MODEL NUMBER 102608

TECHNICAL DRAWINGS



- (▲): Indicates whirlpool jets positioning
 - (△): Indicates suction positioning
 - (•): Indicates airjets positioning
 - (☼): Indicates chromatherapy light positioning
- Bathtub base includes anti-vibration Neutra-Phone leg supports (not shown).
All dimensions are approximate. Structure measurements must be verified against the unit to ensure proper fit.