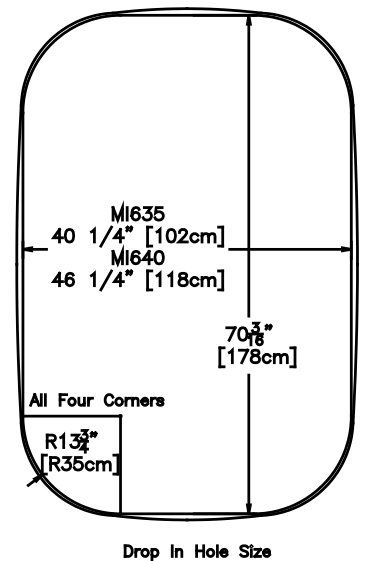
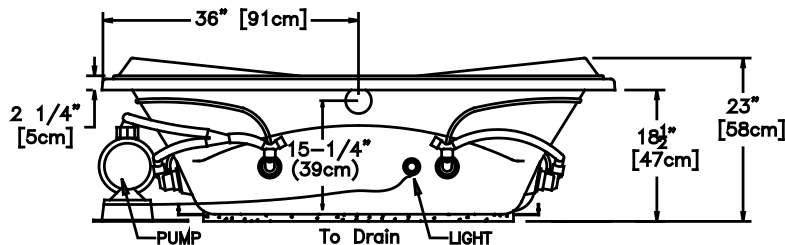
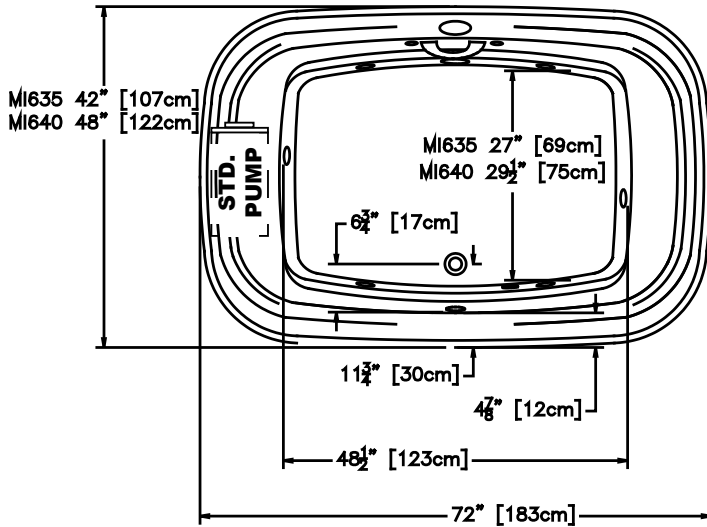


SPECIFICATIONS

MI635 & MI640 (Mia™)

Whirlpool Bath





Note: Dimensional Tolerances $\pm 1/4$

	MI635	MI640
Drop-in-Hole Size:	See Diagram	See Diagram
Operating Capacity:	58 gal	64 gal
Overflow Capacity:	84 gal	90 gal
Floor Loading / sq.ft.:	50.0 lbs	47.6 lbs
Cartoned Wt:	130 lbs	147 lbs
Cube:	48.0 cu. ft.	54.4 cu. ft.

Construction: Fiberglass reinforced acrylic bath with Level Form™ full-support base

We provide products listed with Underwriters Laboratories, Inc. (UL), International Association of Plumbing and Mechanical Officials (IAPMO), and Canadian Underwriters Laboratory (CUL). Consult factory with your listing requirements.

Standard		<p>1 1/2 hp, 1 speed pump, touch control with low water level sensor, and a 20-minute timer. Light indicates when pump is on. Requires one (1) 120V 20A dedicated GFCI-protected circuits.</p>
Signature		<p>1 1/2 hp, 3 speed pump, digital control with low water level sensor, water temperature sensor, 20-minute timer, automatic 1.5 kW heater, and a front access LED moodlight. Shows water temperature and time remaining. Floating Universal Remote Control operates all bath and light functions plus TV, VCR, CD, etc. Requires two (2) 120V 20A dedicated GFCI-protected circuits.</p>