



Hydro Systems, Inc.
 29132 Avenue Paine, Valencia, CA 91355
 Phone (661) 775-0686 · Fax (661) 775-0668
 www.hydrosystem.com
 e-mail: hydro@hydrosystem.com

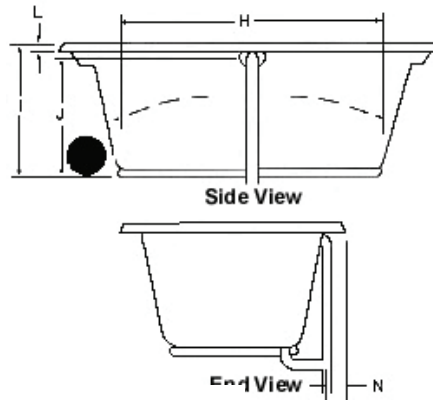
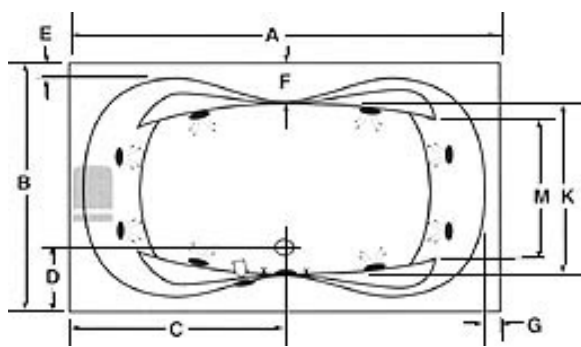
Evansport

Tub specific options



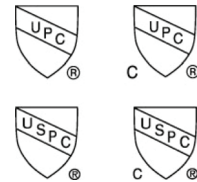
Tub must be set in Mortar Base

- Available as Tub only, Thermal
- Air, Whirlpool or Combo
- Microban antibacterial protection
- Extra high density fiberglass
- Flange—molded
- Skirt
- Custom jet & pump locations
- Plated metallic finish
- Additional directional jets
- Swirling, rotating, or jumbo jets
- Micro therapy jet
- Integral waste & overflow
- 1½ HP variable speed pump
- (digital temperature display optional)
- Electronic low water protection
- Inline heater
- Chromatherapy LED lighting
- Chromatherapy LED Mini spot-lights
- Moodlight
- Grab bars
- Back masseuse
- Neck masseuse pillow
- Hydro fragrance
- Hydro fusion
- Hydro coat
- Hydro express



Approvals

Commonwealth of Massachusetts
 UPC & USPC
 US & Canada

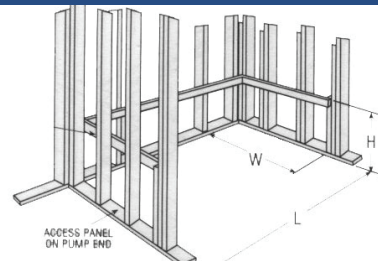
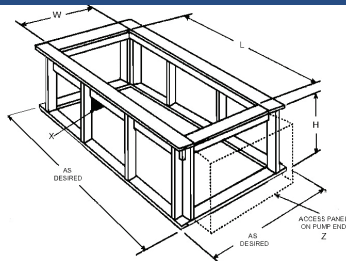


Pump Motor Jets Anti-vortex suction Overflow location

Model	GC	AC	A	B	C	D	E	F	G	H	I	J	K	L	M	N	Jet	Pump	Water
6042	N/A	√	60"	42"	30"	10½"	2"	4½"	2¼"	40"	21"	18½"	25"	1¾"	25"	3¾"	8	2.25	80gal.
7242	N/A	√	72"	42"	36"	11½"	2¾"	6½"	2½"	50"	21"	18½"	27"	1¾"	24"	3¾"	8	2.25	85 gal

Amps	Volts	Breaker	Dedicated Service
13.5	120	20 amp	GFCI Protected

Framing Dimension



Island Drop-In

3 Wall Installation

Model	(L)ength	(W)idth	(H)eight Finish	(L)ength	(W)idth	(H)eight Ledger Molded
6042	58"	40"	20¼"	60"	42"	21¾"
7242	70"	40"	20¼"	72"	42"	21¾"

Disclaimer: Certain options or altering the pump/blower location may cause the pump/blower to extend beyond the tub decking.
 For cutout dimensions wait for unit to arrive. • All specifications subject to change without notice.