

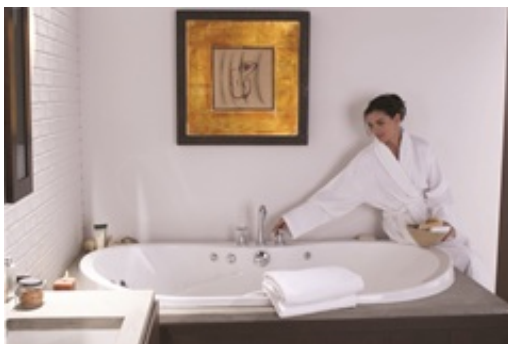
# MAAX SUBMITTAL SPECIFICATIONS

Vivez l'expérience  
**MAAX**<sup>®</sup>  
 Enjoy the experience

## Living 6042

**MODEL NUMBER 102863**

DIMENSIONS: 60" x 42" x 23" Acrylic



### STANDARD FEATURES

- Spacious and ergonomic design
- Symmetrical backrests
- Deck for faucet
- Inclined armrests
- 1 angled 12-in. grab bar Grab bars are color-coordinated for White, Bone and Biscuit bathtubs. For all other bathtub colors, please specify grab bar color (Chrome, Polished Brass or Brushed Nickel - available at no extra charge). included for easy exit and entry
- Inclined electronic control for enhanced visibility
- Center drain
- Drop-in installation
- Apron not available
- 
- Cut-out template included

### OPTIONS

- One 12-in. metal grab bar
- Thermo-Acoustic system
- Metal trim kit for whirlpool and combined systems
- Water heater assembly
- White foam cushion
- Two chromotherapy lights

### UNIQUE FEATURES

- None

### SYSTEMS

Aerofeel

Chromotherapy

Hydroax  
 Max Combined here to one or more of the following systems:



2012-11-18

Project : .....

Contractor : .....

MAAX Representative : ..... Tel : .....

Date : .....

[www.maax.com](http://www.maax.com)

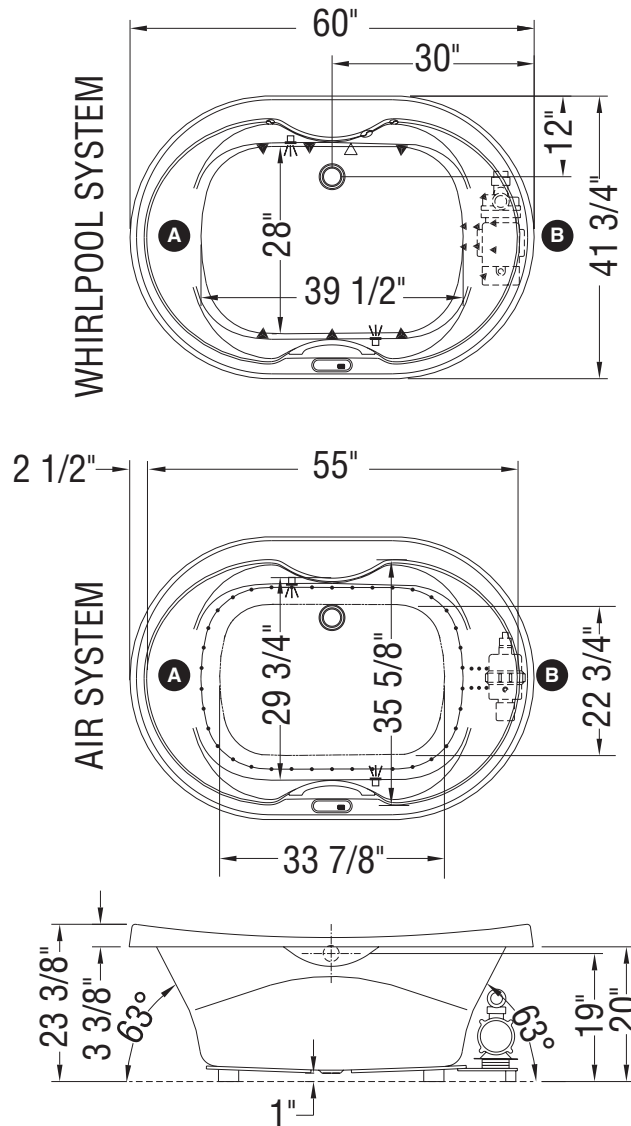
### DOOR SELECTION

# MAAX SUBMITTAL SPECIFICATIONS

## Living 6042

MODEL NUMBER 102863

### TECHNICAL DRAWINGS



**Note: Air backjets on same side as blower**

( ▲ ): Indicates whirlpool jets positioning

( △ ): Indicates suction positioning

( ● ): Indicates airjets positioning

( Ψ ): Indicates chromatherapy light positioning

Bathtub base includes anti-vibration Neutra-Phone leg supports (not shown).

**All dimensions are approximate. Structure measurements**

**must be verified against the unit to ensure proper fit.**

( B ): Specify blower and/or pump location when ordering

( — ): Indicates standard grab bar positioning