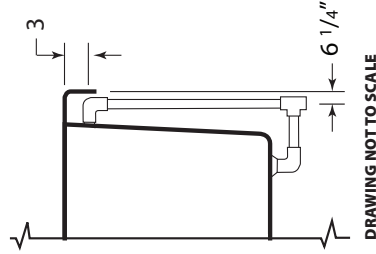
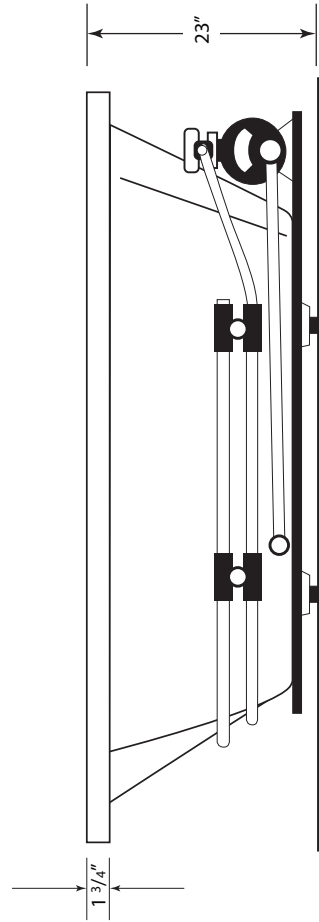
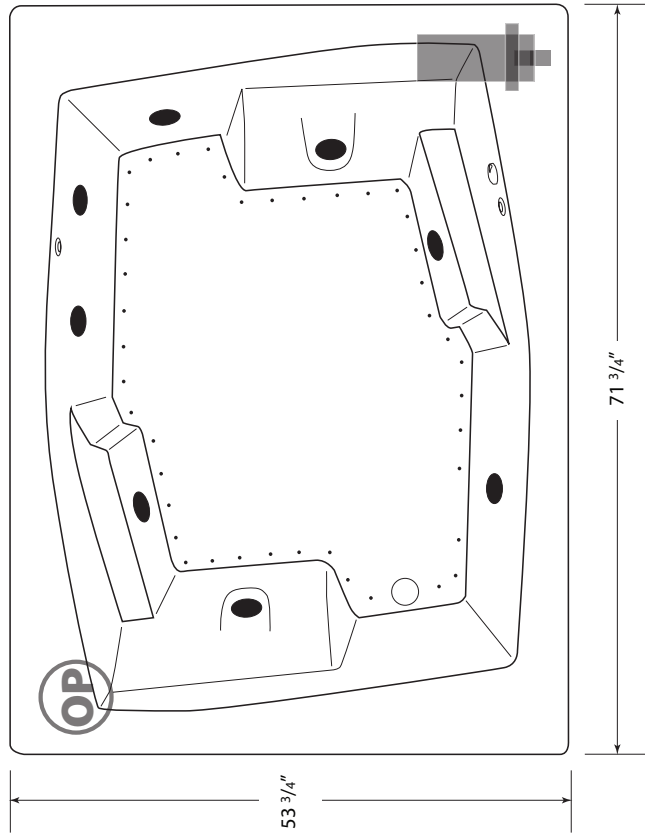


CARESSE 5472CW

SPECIFICATIONS

• All dimensions are plus or minus 1/4" (Maximum Tolerance)
 • Atlantis Whirlpools reserve the right to make changes without notice.
 • Copyright © All Rights Reserved



DRAWING NOT TO SCALE

MODEL: 5472CW

SIZE: 53 3/4" X 71 3/4"

EST. BOXED WEIGHT: 155 lbs. (TUB ONLY)

EST. BOXED WEIGHT: 204 lbs. (WHIRLPOOL OR AIR)

EST. BOXED WEIGHT: 338 lbs. (WHIRLPOOL w/AIR)

BOXED SIZE: 81" X 57" X 24"

AVERAGE FILL (gallons): 80

PUMP SIZE: 1.5 HP

BLOWER: 1.0 HP

ELECTRICAL: 110V 20 AMP CIRCUIT

MATERIAL: Acrylic reinforced fiberglass

Standard Colors: White, Bone, Almond, Biscuit, Sterling Silver, Linen

Standard Features: Air Switch

Jets: 8 Star Jets

Air Controls: 2

Suction Fittings: 1

Air Injectors: 42

Interior Depth	Interior Length Top	Interior Width Top	Interior Length Bottom	Interior Width Bottom
21 3/8	60 1/2	45 3/4	54 1/2	39 1/2



ANSI-Z.124.1
ASME-A.112.19.7



A Division of Spa World Corp.
 2320 NW 147 Street, Miami, FL 33054
 PH: 866.588.8008 • FAX: 866.577.9225
 www.atlantiswhirlpools.com



OPTIONAL PUMP LOCATION



STANDARD PUMP LOCATION