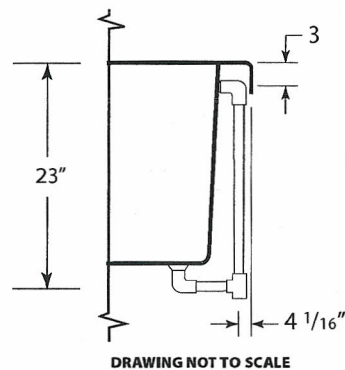
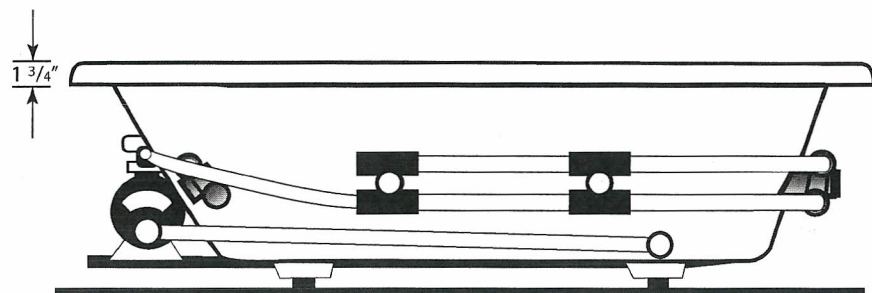
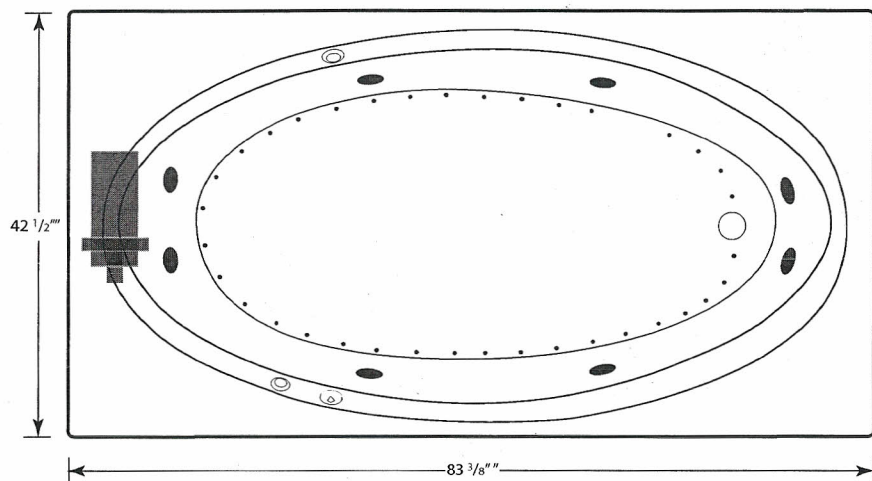


# VOGUE 4384VW

## S P E C I F I C A T I O N S

- All dimensions are plus or minus 1/4" (Maximum Tolerance)
- Atlantis Whirlpools reserve the right to make changes without notice.
- Copyright © All Rights Reserved



**MODEL:** 4384VW

**SIZE:** 42 1/2" X 83 3/8"

**EST. BOXED WEIGHT:** 135 lbs. (TUB ONLY)

**EST. BOXED WEIGHT:** 190 lbs. (WHIRLPOOL OR AIR)

**EST. BOXED WEIGHT:** 237 lbs. (WHIRLPOOL w/AIR)

**BOXED SIZE:** 46" X 90" X 28"

**AVERAGE FILL (gallons):** 60

**PUMP SIZE:** 1.5 HP

**BLOWER:** 1.0 HP

**ELECTRICAL:** 110V 20 AMP CIRCUIT

**MATERIAL:** Acrylic reinforced fiberglass

**Standard Colors:** White, Bone, Almond, Biscuit, Sterling Silver, Linen

**Standard Features:** Air Switch

**Jets:** 8 Star Jets

**Air Controls:** 2

**Suction Fittings:** 1

**Air Injectors:** 36

Interior Depth	Interior Length Top	Interior Width Top	Interior Length Bottom	Interior Width Bottom
19	74	31 1/2	60	28 1/2



**ANSI-Z.124.1  
ASME-A.112.19.7**

ATLANTIS

A Division of Spa World Corp.  
5701 NW 35 Avenue Miami, FL 33142  
PH: 866.588.8008 • FAX: 866.577.9225  
www.atlantiswhirlpools.com



OPTIONAL PUMP LOCATION



STANDARD PUMP LOCATION