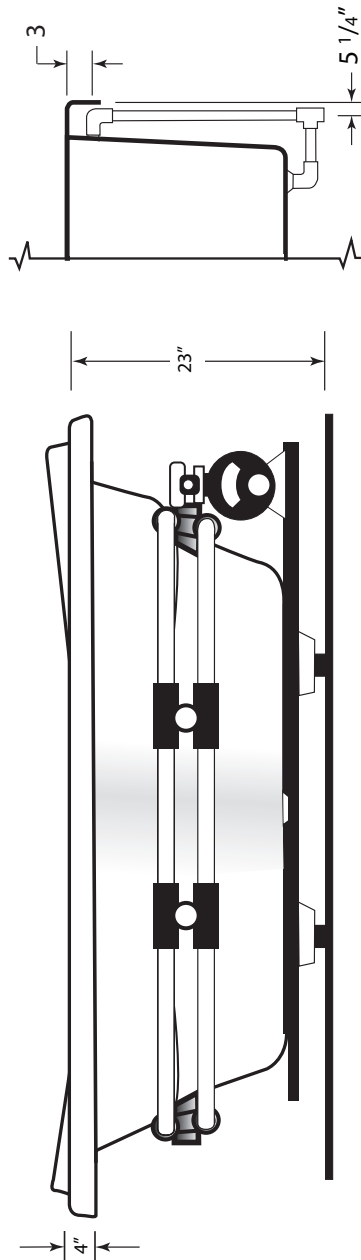
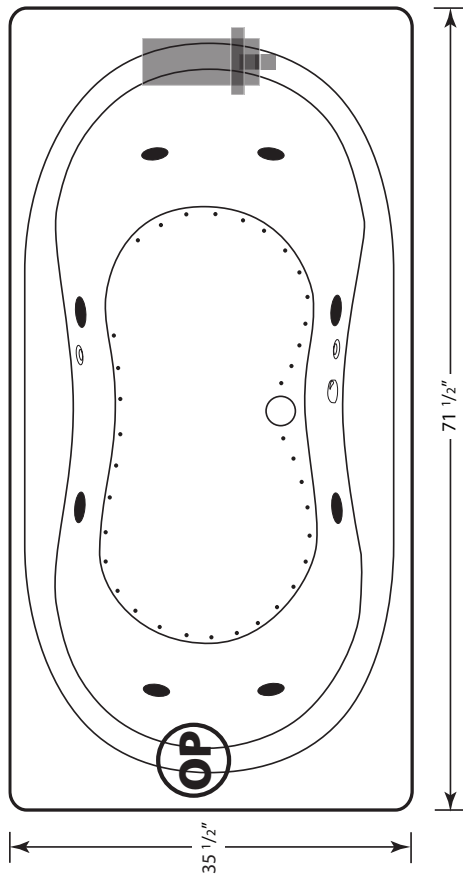


# WHISPER 3672 WW

## SPECIFICATIONS

• All dimensions are plus or minus 1/4" (Maximum Tolerance)  
 • Atlantis Whirlpools reserve the right to make changes without notice.  
 • Copyright © All Rights Reserved



DRAWING NOT TO SCALE

**MODEL:** 3672WW

**SIZE:** 35 1/2" X 71 1/2"

**EST. BOXED WEIGHT:** 135 lbs. (TUB ONLY)

**EST. BOXED WEIGHT:** 170 lbs. (WHIRLPOOL OR AIR)

**EST. BOXED WEIGHT:** 217 lbs. (WHIRLPOOL w/AIR)

**BOXED SIZE:** 39" X 78" X 28"

**AVERAGE FILL (gallons):** 60

**PUMP SIZE:** 1.5 HP

**BLOWER:** 1.0 HP

**ELECTRICAL:** 110V 20 AMP CIRCUIT

**MATERIAL:** Acrylic reinforced fiberglass

**Standard Colors:** White, Bone, Almond,  
Biscuit, Sterling Silver, Linen

**Standard Features:** Air Switch

**Jets:** 8 Star Jets

**Air Controls:** 2

**Suction Fittings:** 1

**Air Injectors:** 36

Interior Depth	Interior Length Top	Interior Width Top	Interior Length Bottom	Interior Width Bottom
18 3/4	60	23 1/4	43 1/2	21



**ANSI-Z.124.1**  
**ASME-A.112.19.7**



A Division of Spa World Corp.  
 2320 NW 147 Street, Miami, FL 33054  
 PH: 866.588.8008 • FAX: 866.577.9225  
 www.atlantiswhirlpools.com



STANDARD PUMP LOCATION

