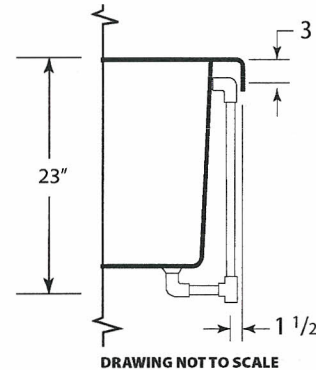
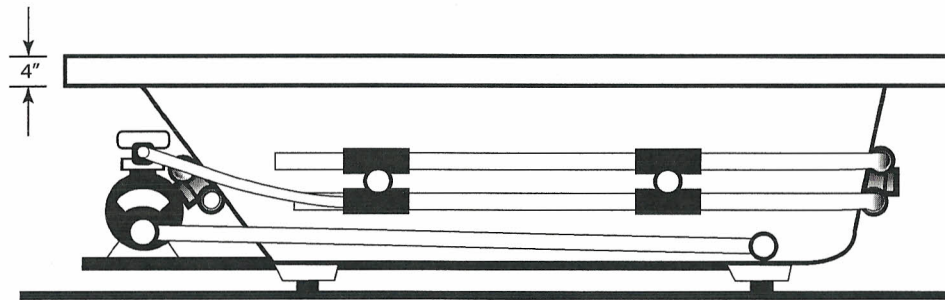
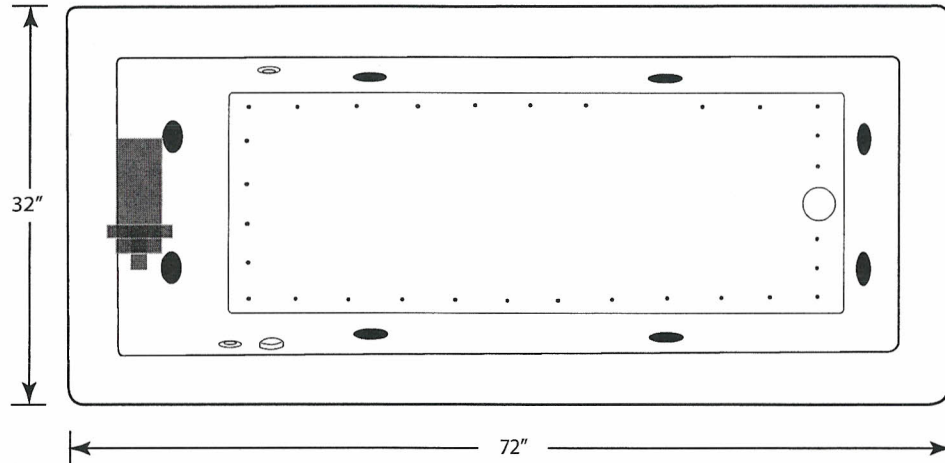


VENETIAN 3272VNW

S P E C I F I C A T I O N S

- All dimensions are plus or minus 1/4" (Maximum Tolerance)
- Atlantis Whirlpools reserve the right to make changes without notice.
- Copyright © All Rights Reserved



DRAWING NOT TO SCALE

MODEL: 3272VNW

SIZE: 32" X 72"

EST. BOXED WEIGHT: 110 lbs. (TUB ONLY)

EST. BOXED WEIGHT: 165 lbs. (WHIRLPOOL OR AIR)

EST. BOXED WEIGHT: 195 lbs. (WHIRLPOOL w/AIR)

BOXED SIZE: 35" X 85" X 24"

AVERAGE FILL (gallons): 65

PUMP SIZE: 1.5 HP

BLOWER: 1.0 HP

ELECTRICAL: 110V 20 AMP CIRCUIT

MATERIAL: Acrylic reinforced fiberglass

Standard Colors: White, Bone, Almond, Biscuit, Sterling Silver, Linen

Standard Features: Air Switch

Jets: 8 Star Jets

Air Controls: 2

Suction Fittings: 1

Air Injectors: 30

Interior Depth	Interior Length Top	Interior Width Top	Interior Length Bottom	Interior Width Bottom
20	51 1/8	26 1/2	51 1/4	24



ANSI-.124.1
ASME-A.112.19.7

ATLANTIS

A Division of Spa World Corp.
5701 NW 35 Avenue Miami, FL 33142
PH: 866.588.8008 • FAX: 866.577.9225
www.atlantiswhirlpools.com



STANDARD PUMP LOCATION